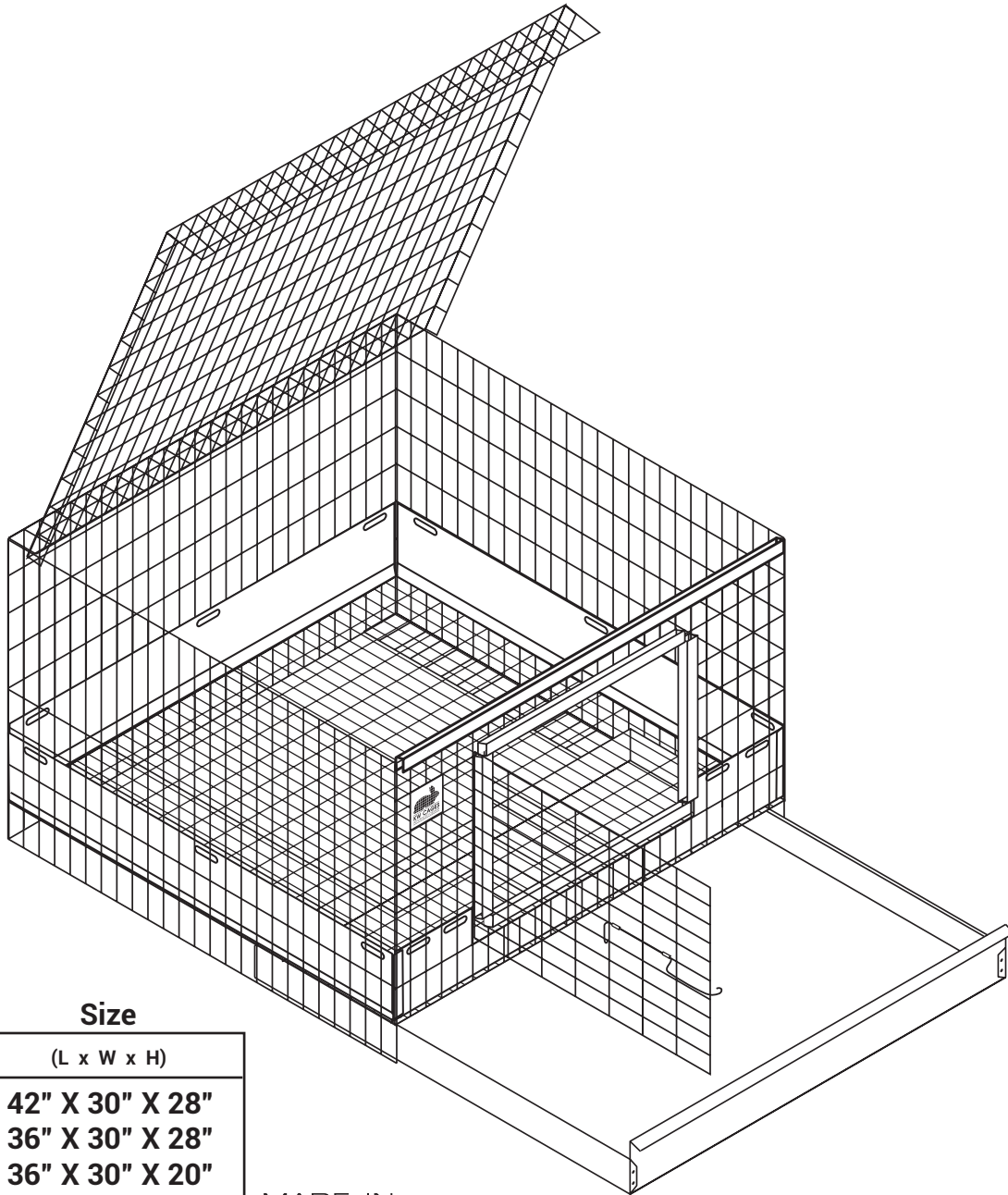




Rabbit Space™

ASSEMBLY INSTRUCTIONS



Size

SKU	(L x W x H)
4529	42" X 30" X 28"
4528	36" X 30" X 28"
4527	36" X 30" X 20"
4526	36" X 24" X 20"
4538	30" X 24" X 16"
3527	24" X 24" X 16"
3502	24" X 18" X 16"

MADE IN

U. S. A.

Drawing is representative of most models. Some variations between models may occur.

WARNING

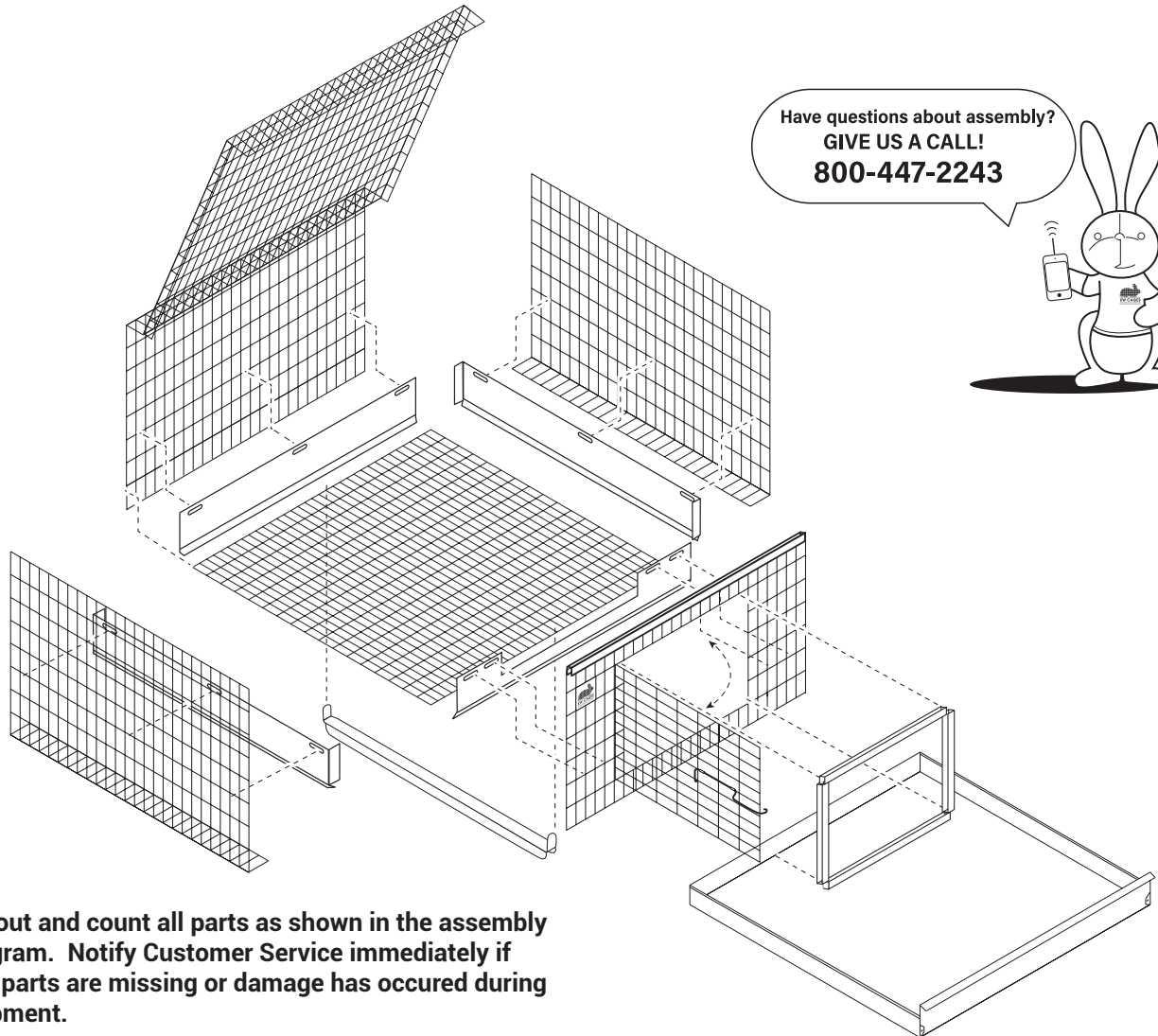


Wire panels and sheetmetal parts may have sharp edges, especially when handled as loose components. Use caution when handling or performing cage assembly and maintenance. Always wear gloves and safety eye-protection to help reduce the chance of personal injury.



Rabbit Space™

ASSEMBLY INSTRUCTIONS


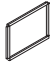
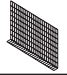
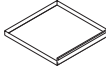








Have questions about assembly?
GIVE US A CALL!
800-447-2243



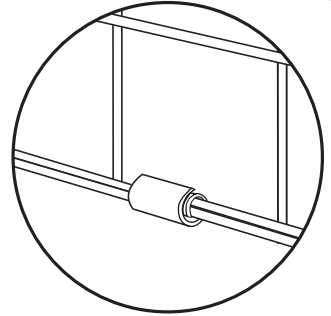
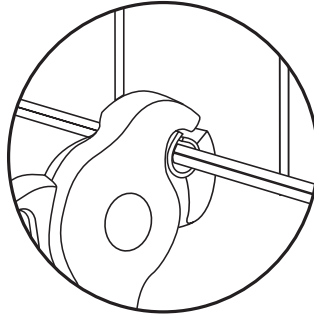
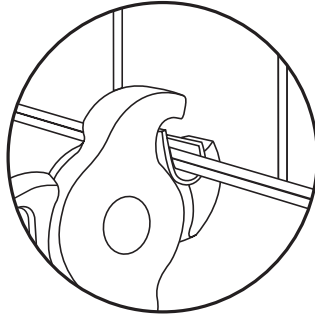
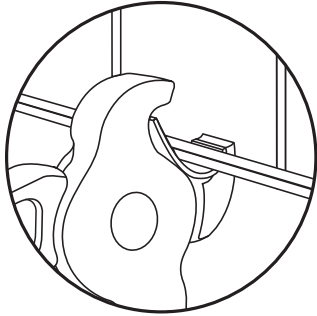
Layout and count all parts as shown in the assembly diagram. Notify Customer Service immediately if any parts are missing or damage has occurred during shipment.

Part List

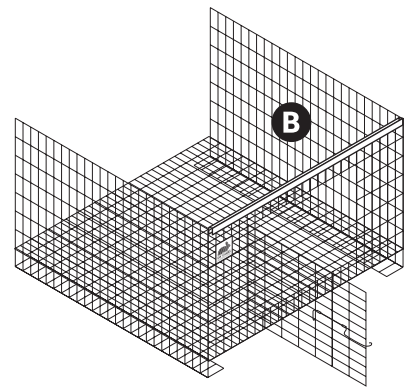
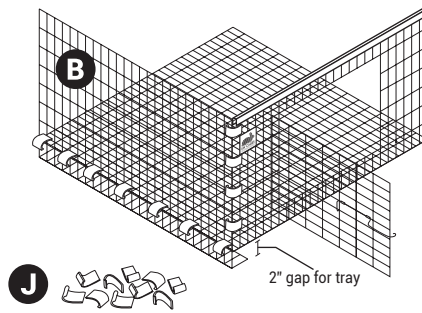
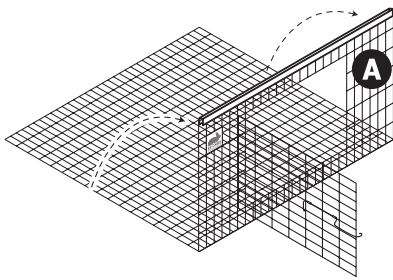
	Qty	Description		Qty	Description
 A	1	Front w/ Door Latch	 G	4	Door Guard
 B	2	Cage Foot	 H	1	Sliding Tray
 C	1	Back/Top Panel	 I	Opt.	Floor Support (see below) *
 D	2	Deflector - Side	 J	1	Pack of Cage Clips
 E	1	Deflector - Front	*Ships Standard on Following Models: 4529 (2), 4528 (2), 4527 (1), 4526 (1)		
 F	1	Deflector - Back			



✓ Step-By-Step



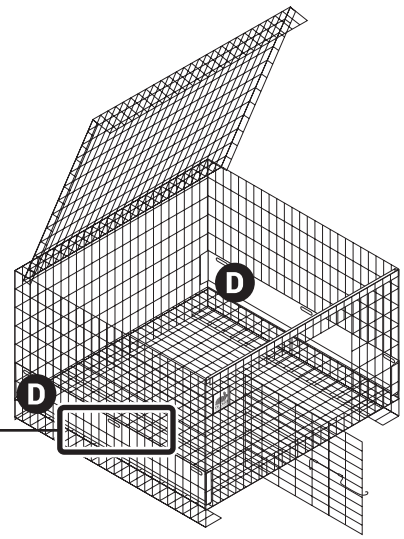
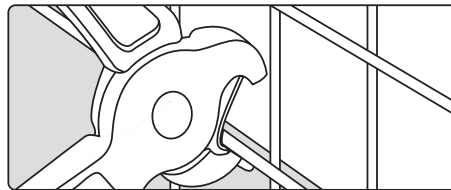
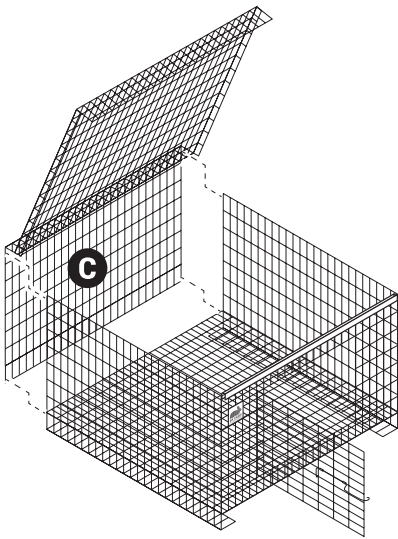
Cage clip pliers are recommended for assembly.



1 Swing front panel (A) upward.

2 Attach left cagefoot panel (B) to front assembly and flooring using cage clips (J) every four inches.

3 Attach right cagefoot panel (B) in a similar way.

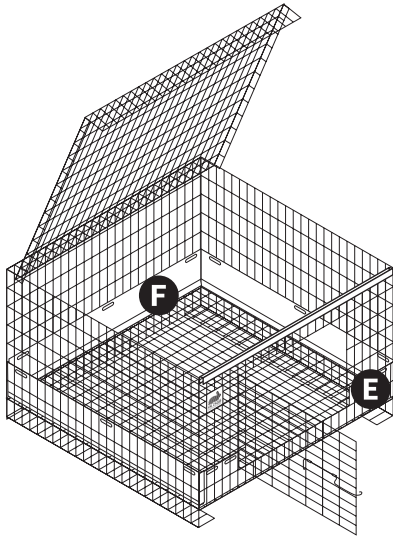


4 Attach back/top panel (C) to side panels and flooring using as shown cage clips.

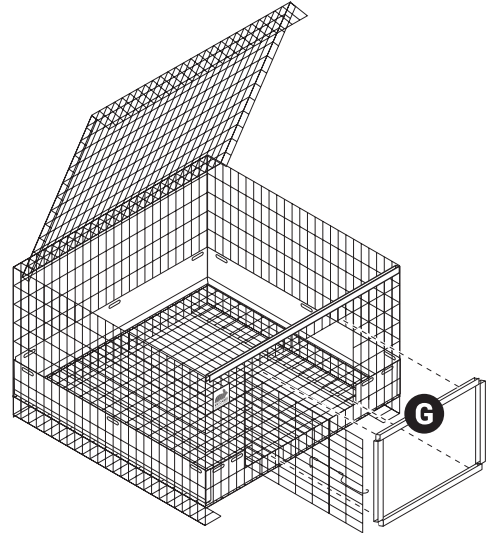
5 Attach left & right side deflector (D) using one cage clip at each slot.



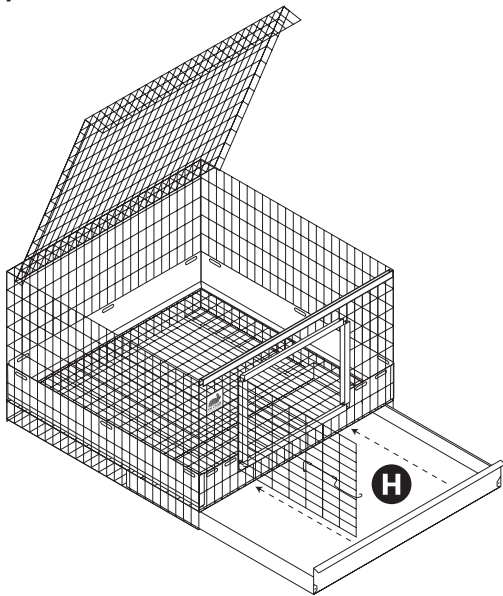
✓ Step-By-Step



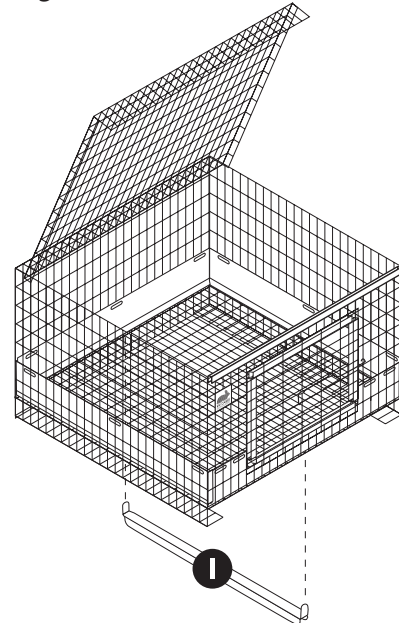
6 Attach front (E) and back (F) deflectors using cage clips at each slot.



7 Snap door guards (G) around edges of door opening.



8 Slide tray (H) under wire flooring into 2" gap for tray.



9 (OPTIONAL FEATURE) Using pliers, bend tabs of floor support (I) upward as shown until support bracket fits through wire. Bend tabs around flooring and side panel to secure in place. (see diagram below)

Floor Support (OPTIONAL FEATURE)

