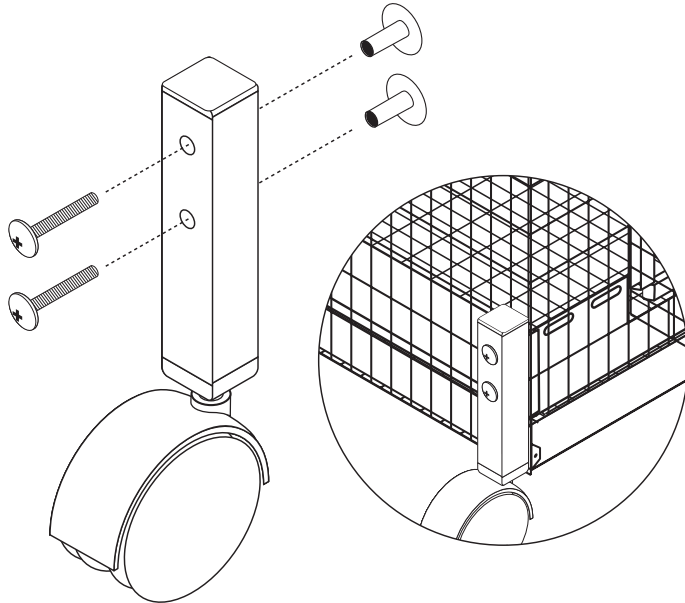


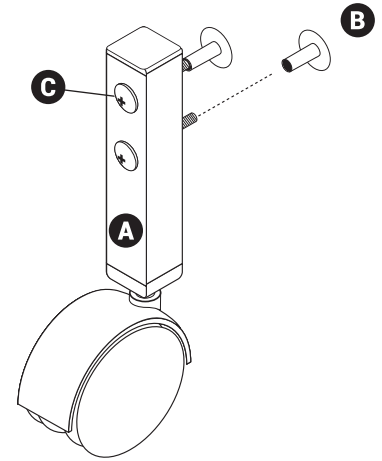


MiniCaster

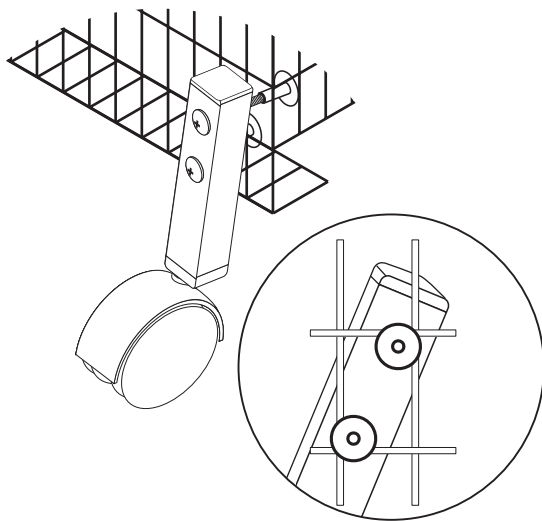
ASSEMBLY INSTRUCTIONS



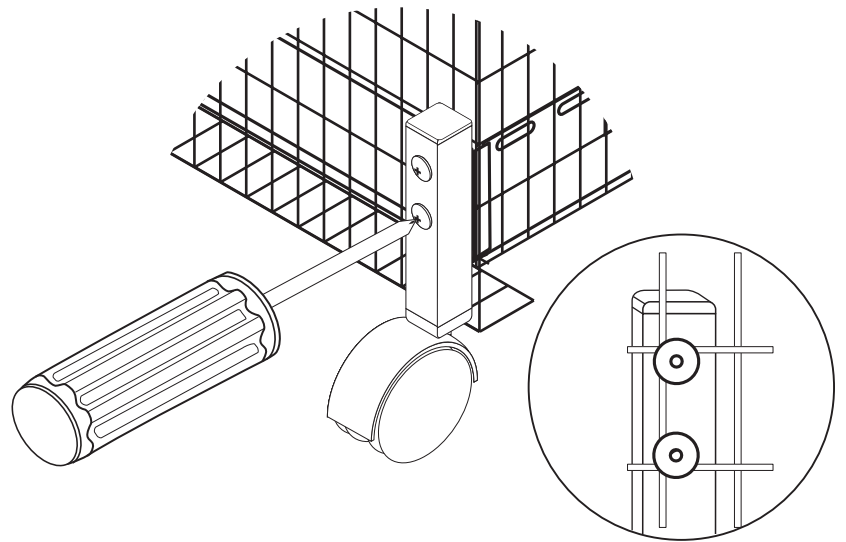
Mini caster kit attaches to cage feet on many popular cage models.



1 Loosely pre-attach sombrero nut (B) to screw (C). Do not tighten all the way.



2 Insert rim of sombrero nuts through wire opening by first positioning caster leg at an angle, then turning straight as shown in next step.



3 Turn leg upright so that sombrero nuts are inside cage wire opening and grip wire when screws are tightened.

Part List

Phillips screwdriver is required for assembly.

Qty	Description
A	4 Caster wheel / leg assembly
B	8 Sombrero nut
C	8 Pan head screw

! WARNING

Use caution when handling or performing cage assembly and maintenance. Always wear gloves and safety eye-protection to help reduce the chance of personal injury.