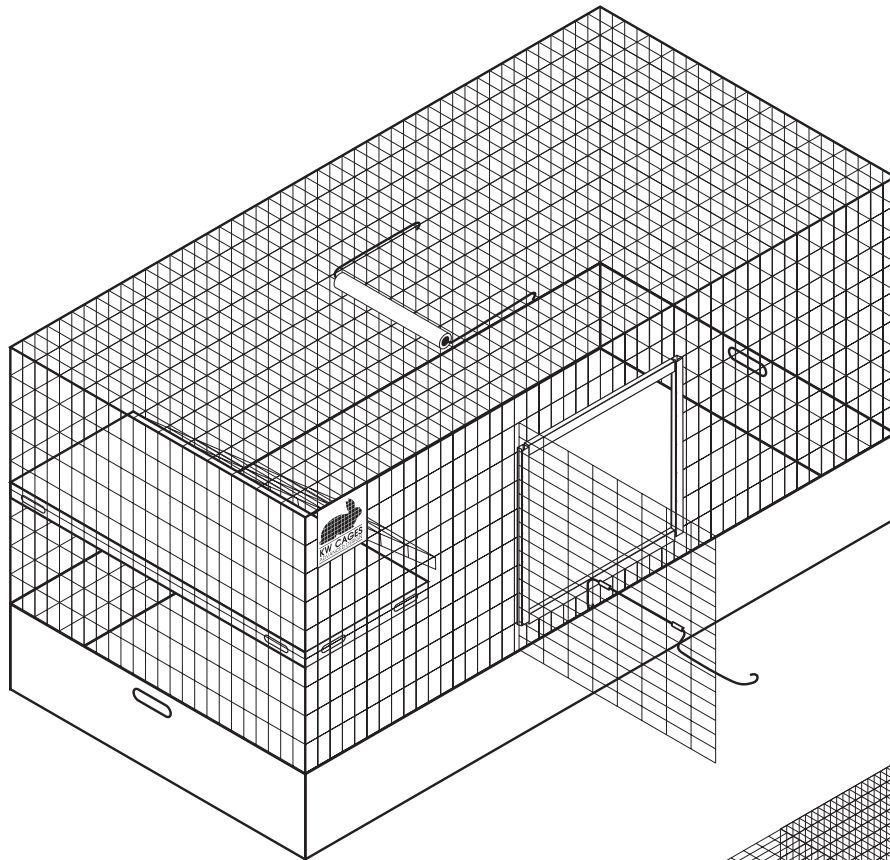




Deluxe Rodent Cage

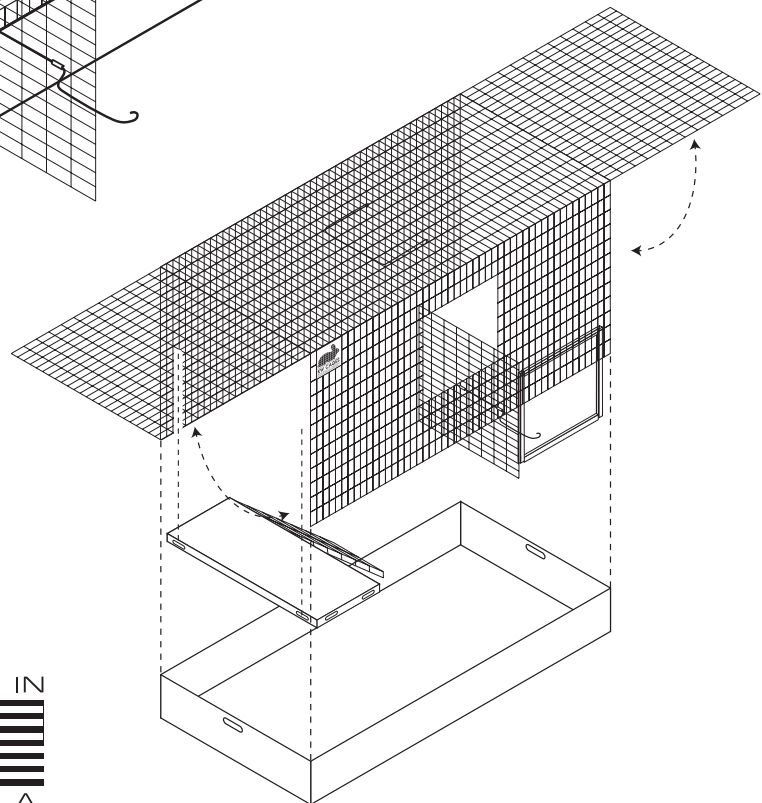
ASSEMBLY INSTRUCTIONS



Have questions about assembly?
GIVE US A CALL!
800-447-2243



Layout and count all parts as shown in the assembly diagram. Notify Customer Service immediately if any parts are missing or damage has occurred during shipment.



Size

SKU	(L x W x H)
2001	12" X 24" X 12"



Drawing is representative of most models. Some variations between models may occur.

WARNING

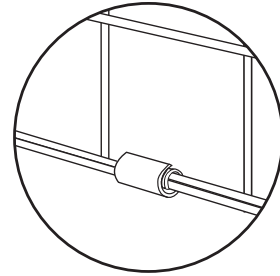
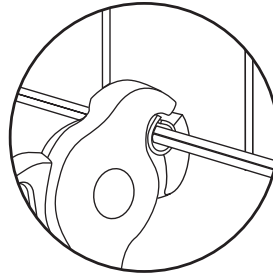
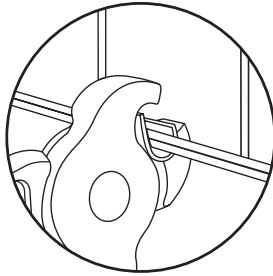
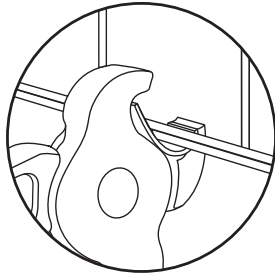


Wire panels and sheetmetal parts may have sharp edges, especially when handled as loose components. Use caution when handling or performing cage assembly and maintenance. Always wear gloves and safety eye-protection to help reduce the chance of personal injury.

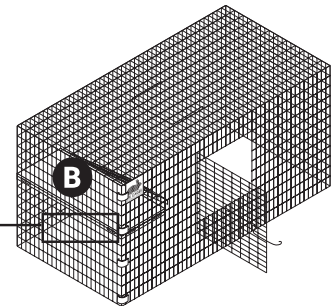
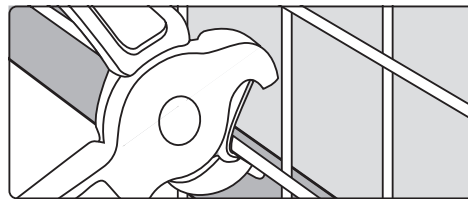
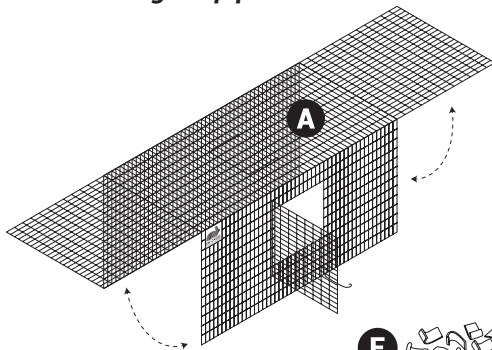


Deluxe Rodent Cage

ASSEMBLY INSTRUCTIONS

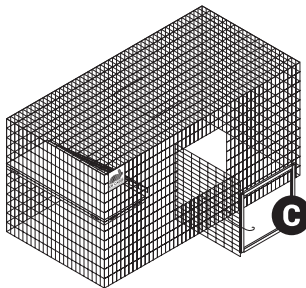


Cage clip pliers are recommended for assembly.

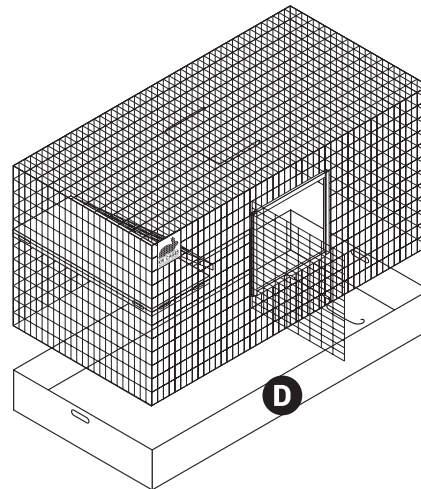


1 Unfold the cage assembly (A) and secure side panels to the front panels at the edges using cage clips (H) every three inches.

2 Attach shelf (C) halfway up the left side of cage using cage clips in each pre drilled slot.



4 Snap door guards (C) around edges of door openings.



5 Set cage into refuse pan (D) and secure spring hooks from sides of cage to the tray

Part List

	Qty	Description		Qty	Description
A	1	Cage Assembly	E	1	Pack of Cage Clips
B	1	Shelf with Ramp			
C	4	Door Guard			
D	1	Refuse Pan			