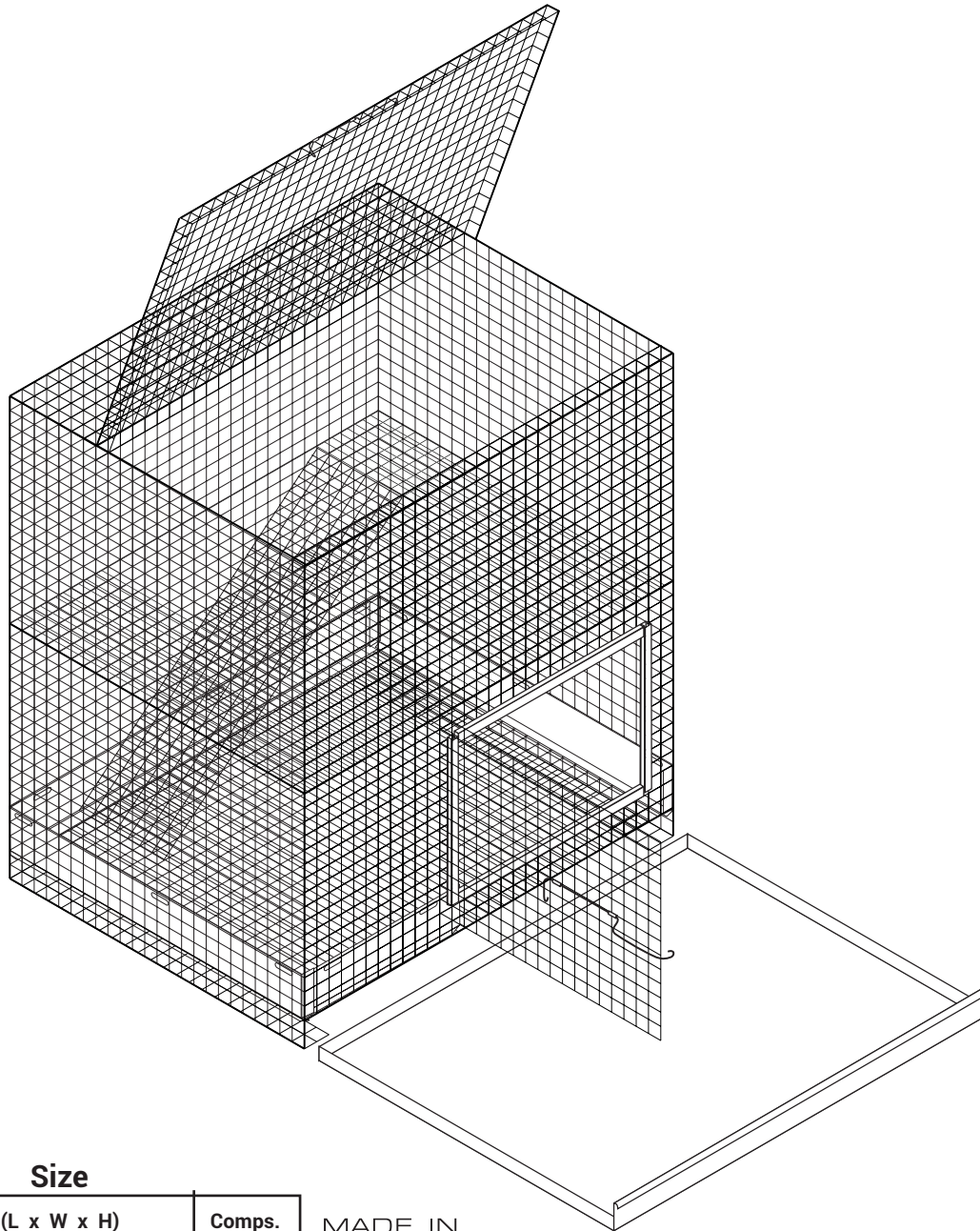




Metro Condo

ASSEMBLY INSTRUCTIONS



Size

SKU	(L x W x H)	Comps.
4612	30" X 24" X 34"	1
4611	36" X 24" X 34"	1

MADE IN



Drawing is representative of most models. Some variations between models may occur.

WARNING

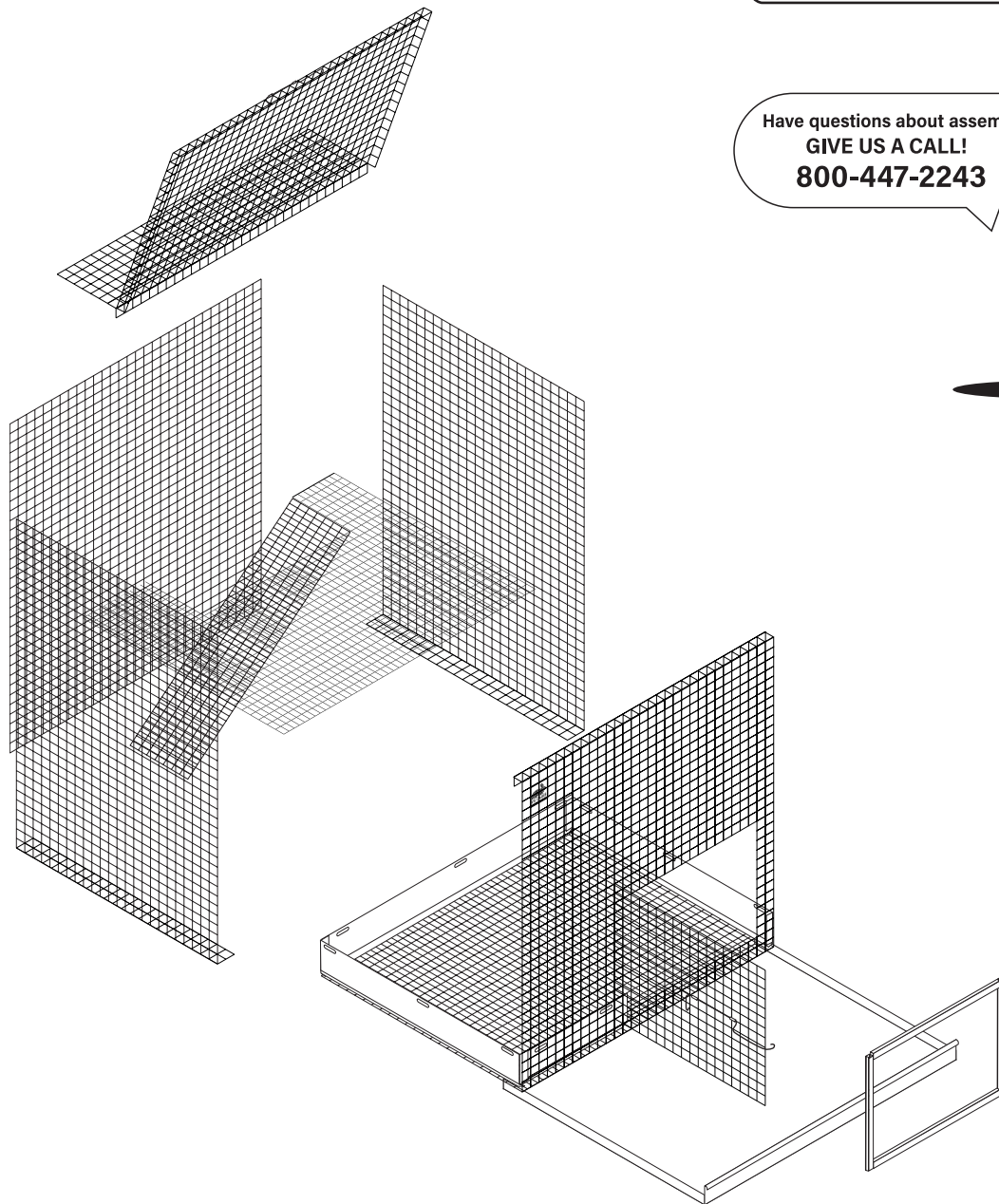


Wire panels and sheetmetal parts may have sharp edges, especially when handled as loose components. Use caution when handling or performing cage assembly and maintenance. Always wear gloves and safety eye-protection to help reduce the chance of personal injury.



Metro Condo

ASSEMBLY INSTRUCTIONS


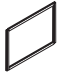

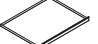






Have questions about assembly?
GIVE US A CALL!
800-447-2243



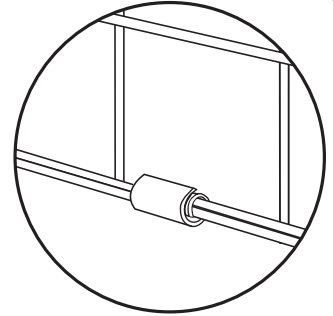
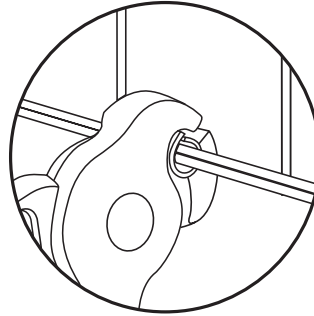
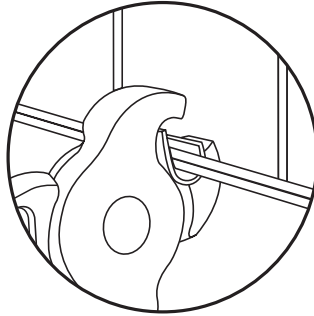
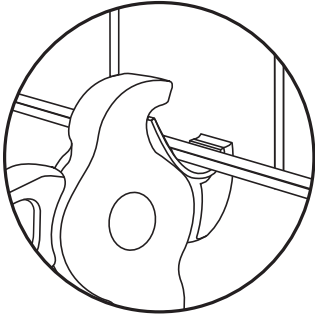
Part List

Layout and count all parts as shown in the assembly diagram. Notify Customer Service immediately if any parts are missing or damage has occurred during shipment.

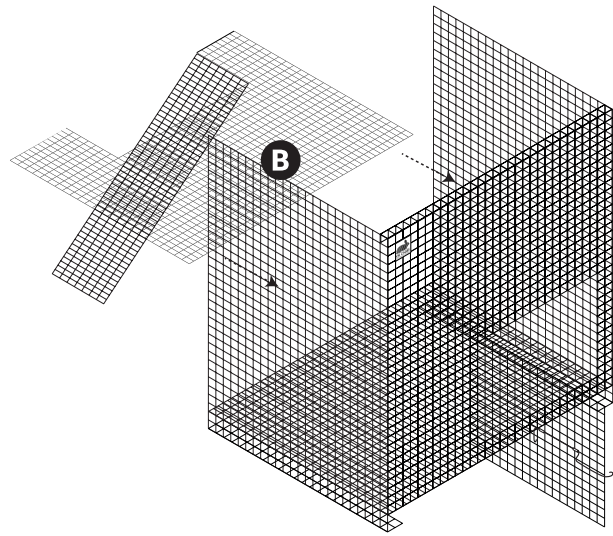
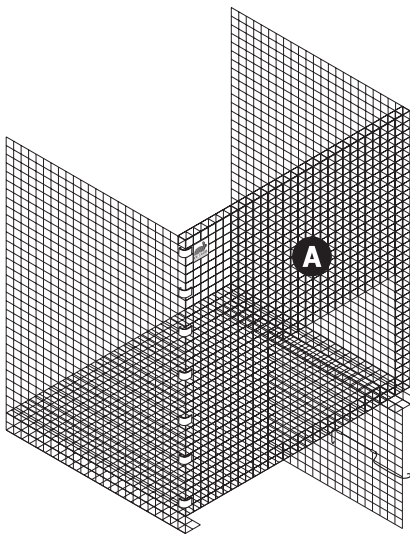
	Qty	Description		Qty	Description		
	A	1	Main Panel Assembly		E	4	Door Guards
	B	1	Upper Level with Ramp		F	1	Tray
	C	1	Back Panel		G	1	Pack of Cage Clips
	D	1	Top Panel		H	4	Deflectors



✓ Step-By-Step

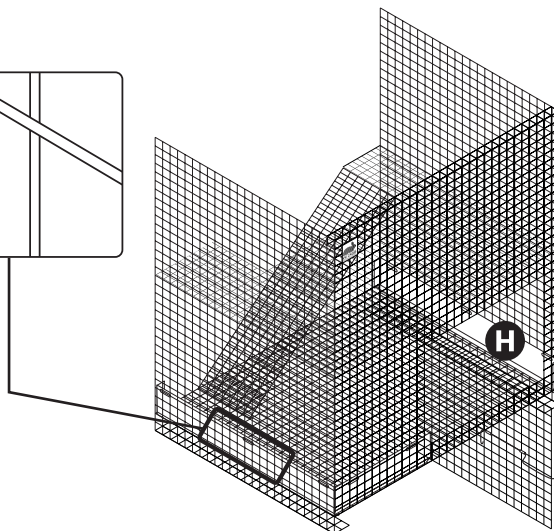
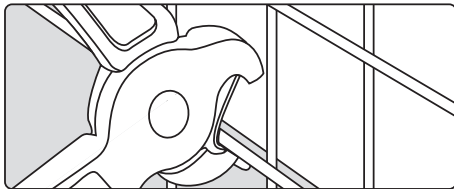


Cage clip pliers are recommended for assembly.



1 *Unfold main panel assembly (A) secure corners using cage clips (G) every 4 inches.*

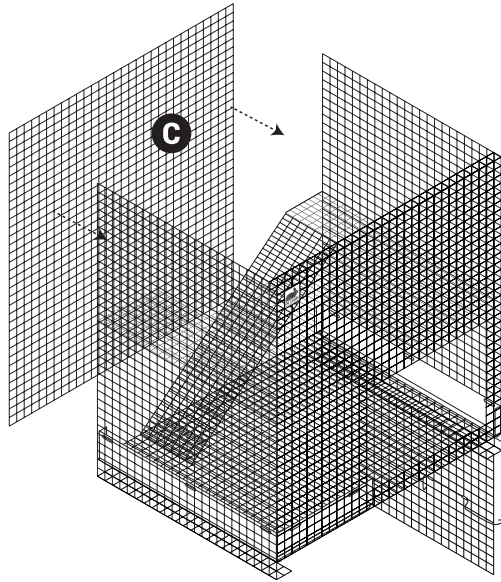
2 *Attach upper level (B) halfway up the inside of the cage using cage clips every four inches around the perimeter.*



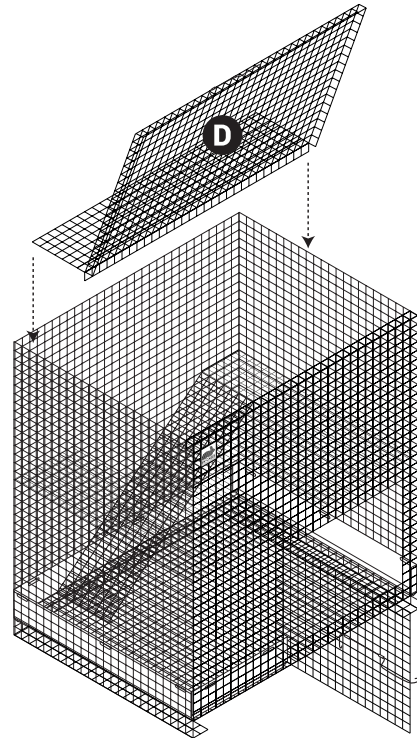
3 *Secure front and both side deflectors (H) to the cage using cage clips at each slot.*



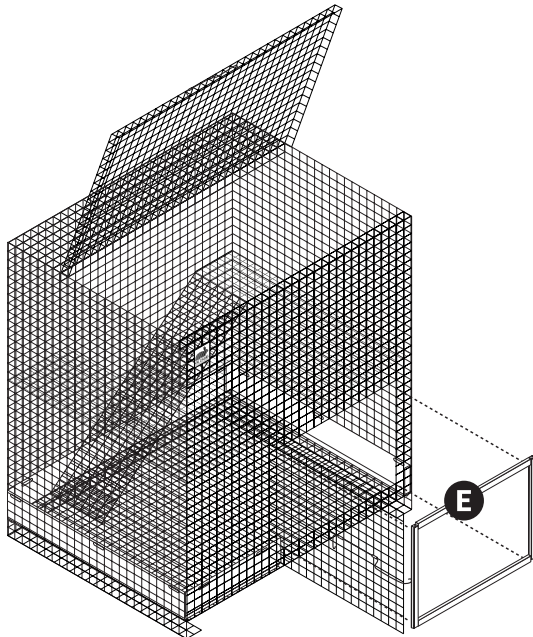
✓ Step-By-Step



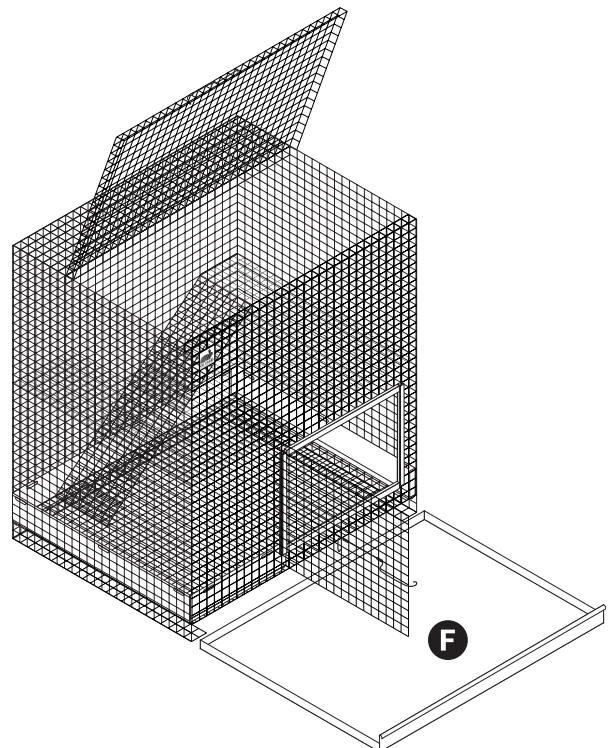
4 Attach back panel (C) to main panel assembly using cage clips every four inches where the panels meet. Secure back deflector now that back panel is secured to the cage.



5 Attach top panel (D) to back edge of cage using cage clips.



6 Snap door guards (E) around the door opening.



7 Slide tray (F) into open slot at the bottom of the cage.